

VIPER XTREM

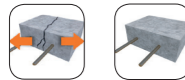
High performance multi-application chemical resin for cracked concrete and seismic applications



280ml

410ml

Materials

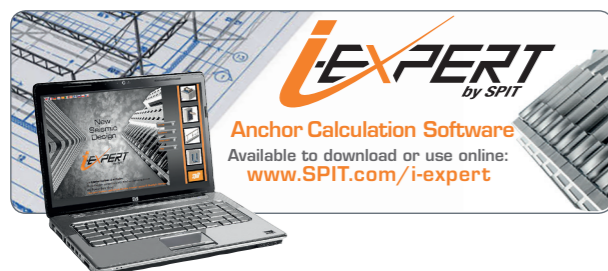


Applications

- Seismic applications
- Structural steel anchoring
- Safety barriers
- Balustrades
- Guard rails
- Post installed rebar in non-cracked and cracked concrete as well as seismic conditions.

Features and Benefits

- ETA approved for structural applications in non-cracked, cracked and seismic conditions.
- Enhanced productivity with easy flow and usability from -10°C to +40°C
- Approved in dry, damp and flooded holes
- Reduced product waste thanks to rigid cartridge
- Visual mixing control through transparent nozzle
- 18 months shelf life (unopened or reuse)
- Suitable for all drilling methods including diamond
- Odour free and no volatile organic compound (rating A+)
- Fire approval



Anchor Calculation Software
Available to download or use online:
www.SPIT.com/i-expert

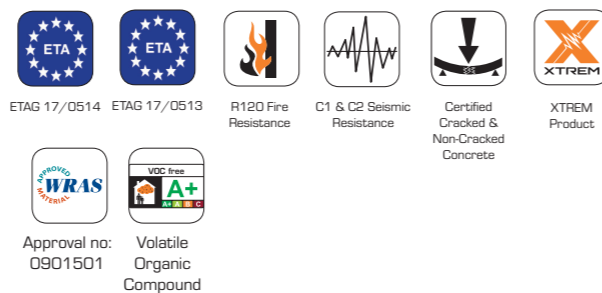


Product Code

Description	Box Qty	Code
VIPER XTREM 280	1	060187*
VIPER XTREM 410	1	060189*

* Must be ordered in multiples of 12.

Approvals



Curing Time

Temperature	Initial Curing	Final Curing
-10°C -> -5°C	90 min.	24 h
-14°C -> 0°C	50 min.	4 h
1°C -> 5°C	25 min.	2 h
6°C -> 10°C	15 min.	90 min.
11°C -> 20°C	7 min.	60 min.
21°C -> 30°C	4 min.	45 min.
31°C -> 40°C	2 min.	30 min.

VIPER XTREM

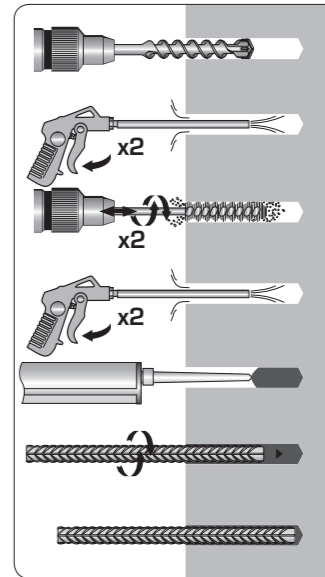
NO. FIXINGS PER CARTRIDGE REBAR

Rebar (mm)	Drill Ø (mm)	Drill Depth (mm)	No. Fixings	
			410ml	825ml
8	10	100	113.6	228.6
		190	59.8	120.3
		226	50.3	101.1
		322	35.3	71.0
10	12	121	79.9	154.8
		230	40.4	81.3
		285	32.6	65.6
		403	23.1	46.4
12	15	145	34.8	70.1
		280	18	36.3
		340	14.8	29.9
		484	10.4	21.0
14	18	186	17.2	34.6
		330	9.7	19.5
		395	8.1	16.3
		564	5.7	11.4
16	20	213	13.4	26.9
		370	7.7	15.4
		451	6.3	12.7
		644	4.4	8.9
20	25	290	6.3	12.6
		470	3.9	7.8
		564	3.2	6.5
		805	2.3	4.5
25	30	302	2.6	5.3
		550	1.9	3.7
		704	1.5	2.9
		1006	1.1	2.3
28	35	338	2.0	3.9
		600	1.4	2.9
		789	1.2	2.4
		1127	1.0	2.1
32	40	386	1.2	2.5
		750	1.0	2.1
		900	0.9	1.9
		1200	0.8	1.6

For details of threaded studs and sockets refer to page 76

For chemical resin accessories refer to page 77

Installation



Accessories

Description	Box Qty	Code
Manual Injection Tool (380ml - 410ml)	1	077151
Manual Cleaning Kit + Tool Box	1	055832
Hand Operated Blow Out Tool	1	065990
11mm Wire Brush Head	1	052971
15mm Wire Brush Head	1	052973
20mm Wire Brush Head	1	052974
22mm Wire Brush Head	1	052975
26mm Wire Brush Head	1	052976
Wire Brush Extension Rod	1	051010
Wire Brush T Handle	1	051009
Nozzle for Cartridges	10	050882



077151 055832 065990 051009

