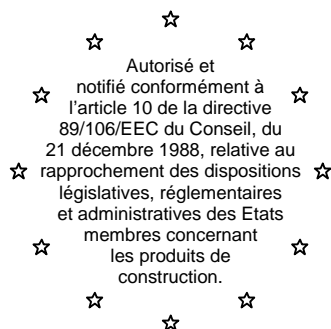


Centre Scientifique et Technique du Bâtiment

84 avenue Jean Jaurès
Champs sur Marne
F-77447 Marne-la-Vallée Cedex 2
Tél. : (33) 01 64 68 82 82
Fax : (33) 01 60 05 70 37



MEMBRE DE L'EOTA

European Technical Approval

ETA-07/0189

(English language translation, the original version is in French language)

Nom commercial :

Trade name:

SPIT EPCON C8

Titulaire :

Holder of approval:

Société SPIT

Route de Lyon

F-26501 BOURG-LES-VALENCE

France

Type générique et utilisation prévue du produit de construction :

Generic type and use of construction product:

Ancrages à barres nervurées, diamètres 8 à 32mm,. installés ultérieurement avec la résine SPIT EPCON C8

Post installed rebar connections diameter 8 to 32 mm made with SPIT EPCON C8 injection adhesive.

Validité du :
au :

Validity from / to:

09/05/2008

12/09/2012

Usine de fabrication :

Manufacturing plant:

Société SPIT

Route de Lyon

F-26501 BOURG-LES-VALENCE

France

Le présent Agrément technique européen contient :

This European Technical Approval contains:

21 pages incluant 10 annexes faisant partie intégrante du document.

21 pages including 10 annexes which form an integral part of the document.

Cet Agrément Technique Européen annule et remplace l' ATE 07/0189 valide du 12/09/2007 au 12/09/2012

This European Technical Approval cancels and replaces ETA-07/0189 with validity from 12/09/2007 to 12/09/2012



Organisation pour l'Agrément Technique Européen
European Organisation for Technical Approvals

I LEGAL BASES AND GENERAL CONDITIONS

1. This European Technical Approval is issued by the Centre Scientifique et Technique du Bâtiment in accordance with:

- Council Directive 89/106/EEC of 21 December 1988 on the approximation of laws, regulations and administrative provisions of Member States relating to construction products¹, modified by the Council Directive 93/68/EEC of 22 July 1993²;
- Décret n°92-647 du 8 juillet 1992³ concernant l'aptitude à l'usage des produits de construction;
- Common Procedural Rules for Requesting, Preparing and the Granting of European Technical Approvals set out in the Annex of Commission Decision 94/23/EC⁴;
- Guideline for European Technical Approval of « Metal Anchors for use in Concrete » ETAG 001, edition 1997, Part 1 « Anchors in general », Part 5 « Bonded anchors » and Technical Report for Post Installed Rebar Connections TR23.

2. The Centre Scientifique et Technique du Bâtiment is authorised to check whether the provisions of this European Technical Approval are met. Checking may take place in the manufacturing plant (for example concerning the fulfilment of assumptions made in this European Technical Approval with regard to manufacturing). Nevertheless, the responsibility for the conformity of the products with the European Technical Approval and for their fitness for the intended use remains with the holder of the European Technical Approval.

3. This European Technical Approval is not to be transferred to manufacturers or agents of manufacturer other than those indicated on page 1; or manufacturing plants other than those indicated on page 1 of this European Technical Approval.

4. This European Technical Approval may be withdrawn by the Centre Scientifique et Technique du Bâtiment pursuant to Article 5 (1) of the Council Directive 89/106/EEC.

5. Reproduction of this European Technical Approval including transmission by electronic means shall be in full. However, partial reproduction can be made with the written consent of the Centre Scientifique et Technique du Bâtiment. In this case partial reproduction has to be designated as such. Texts and drawings of advertising brochures shall not contradict or misuse the European Technical Approval.

6. The European Technical Approval is issued by the approval body in its official language. This version corresponds to the version circulated within EOTA. Translations into other languages have to be designated as such.

¹ Official Journal of the European Communities n° L 40, 11.2.1989, p. 12

² Official Journal of the European Communities n° L 220, 30.8.1993, p. 1

³ Journal officiel de la République française du 14 juillet 1992

⁴ Official Journal of the European Communities n° L 17, 20.1.1994, p. 34

II SPECIFIC CONDITIONS OF THE EUROPEAN TECHNICAL APPROVAL

1 Definition of product and intended use

1.1. Definition of product

The EPCON C8 is used for the connection, by anchoring or overlap joint, of reinforcing bars (rebars) in existing structures made of ordinary non-carbonated concrete C12/15 to C50/60. The design of the post-installed rebar connections is done in accordance with EN 1992-1-1 October 2005 (EN 1992-1-1).

Covered are rebar anchoring systems consisting of EPCON C8 bonding material and an embedded straight deformed reinforcing bar with properties according to Annex C of EN 1992-1-1 and EN 10080; the classes B and C of the rebar are recommended. The ETA covers rebar connections with a diameter, d , from 8 to 32 mm.

1.2. Intended use

The ETA covers applications in non-carbonated concrete C 12/15 to C 50/60 (EN 206-1) only, which are also allowed with straight deformed cast-in bars according to EN 1992-1-1, e.g. those in the following applications:

- an overlapping joint with existing reinforcement in a building component, see Figure 1.1 and 1.2 in annex 2.
- anchoring of the reinforcement at a slab or beam support; end support/bearing of a slab designed as simply supported as well as its reinforcement for restraint forces, see Figure 1.3 in annex 2.
- anchoring of reinforcement of building components stressed primarily in compression, see Fig.1.4 in annex 2.
- anchoring of reinforcement to cover the line of acting tensile force, see Figure 1.5 in annex 2.

The EPCON C8 anchoring systems can be used with the following limitations:

- ✓ The rebars can be placed in holes made with hammer drilling technique or diamond core drilling technique
- ✓ The rebars may be used in the following temperature range : -40°C to +80°C (max short term temperature +80°C and max long term temperature +50°C)
- ✓ According to EN 206-1 the allowable chloride content in concrete is limited to 0.20 % (Cl 0,20) related to cement content.
- ✓ The rebars may be installed in dry or wet concrete, it must not be in flooded holes.

The fire resistance of post-installed rebar connections is not covered by this ETA.

Fatigue, dynamic or seismic loading of post-installed rebar connections are not covered by this ETA.

The provisions made in this European Technical Approval are based on an assumed intended working life of the rebar connections of 50 years. The indications given on the working life cannot be interpreted as a guarantee given by the producer, but are to be regarded only as a means for choosing the right products in relation to the expected economically reasonable working life of the works.

2 Characteristics of product and methods of verification

2.1. Characteristics of product

The EPCON C8 injection adhesive corresponds to the drawings and provisions given in annexes 1 .

The SPIT EPCON C8 injection adhesive is a two components system. The two components of the injection mortar are delivered in unmixed condition in cartridge of size 450ml according to annex 1. Each cartridge is marked with the identifying mark "SPIT EPCON C8" with the charge code and the storage life.

2.2. Methods of verification

The assessment of fitness of the rebar connection for the intended use in relation to the requirements for mechanical resistance and stability and safety in use in the sense of the Essential Requirements 1 and 4 has been made in accordance with the « Guideline for European Technical Approval of Metal Anchors for use in Concrete », Part 1 « Anchors in general », Part 5 « Bonded anchors » and Technical Report n° 023 "Assessment of post installed rebar connections".

In addition to the specific clauses relating to dangerous substances contained in this European Technical Approval, there may be other requirements applicable to the products falling within its scope (e.g. transposed European legislation and national laws, regulations and administrative provisions). In order to meet the provisions of the UE Construction Products Directive, these requirements need also to be complied with, when and where they apply.

3 Evaluation of Conformity and CE marking

3.1. Attestation of conformity system

The system of attestation of conformity 2 (i) (referred to as system 1) according to Council Directive 89/106/EEC Annex III laid down by the European Commission provides:

a) tasks for the manufacturer:

1. factory production control,
2. further testing of samples taken at the factory by the manufacturer in accordance with a prescribed test plan.

b) tasks for the approved body:

3. initial type-testing of the product,
4. initial inspection of factory and of factory production control,
5. continuous surveillance, assessment and approval of factory production control.

3.2. Responsibilities

3.2.1. Tasks of the manufacturer, factory production control

The manufacturer has a factory production control system in the plant and exercises permanent internal control of production. All the elements, requirements and provisions adopted by the manufacturer are documented in a systematic manner in the form of written policies and procedures. This production control system ensures that the product is in conformity with the European Technical Approval.

The manufacturer shall only use raw materials supplied with the relevant inspection documents as laid down in the prescribed test plan⁵. The incoming raw materials shall be subject to controls and tests by the manufacturer before acceptance. Check of incoming materials shall include control of the inspection documents presented by suppliers.

The frequency of controls and tests conducted during production is laid down in the prescribed test plan taking account of the automated manufacturing process of the product.

The results of factory production control are recorded and evaluated. The records include at least the following information:

- designation of the product, basic material and components;
- type of control or testing;
- date of manufacture of the product and date of testing of the product or basic material and components;

⁵

The prescribed test plan has been deposited at the Centre Scientifique et Technique du Bâtiment and is only made available to the approved bodies involved in the conformity attestation procedure.

- result of control and testing and, if appropriate, comparison with requirements;
- signature of person responsible for factory production control.

The records shall be presented to the inspection body during the continuous surveillance. On request, they shall be presented to the Centre Scientifique et Technique du Bâtiment.

Details of the extent, nature and frequency of testing and controls to be performed within the factory production control shall correspond to the prescribed test plan which is part of the technical documentation of this European Technical Approval.

3.2.2. Tasks of approved bodies

3.2.2.1. Initial type-testing of the product

For initial type-testing the results of the tests performed as part of the assessment for the European Technical Approval shall be used unless there are changes in the production line or plant. In such cases the necessary initial type-testing has to be agreed between the Centre Scientifique et Technique du Bâtiment and the approved bodies involved.

3.2.2.2. Initial inspection of factory and of factory production control

The approved body shall ascertain that, in accordance with the prescribed test plan, the factory and the factory production control are suitable to ensure continuous and orderly manufacturing of the anchor according to the specifications mentioned in 2.1. as well as to the Annexes to the European Technical Approval.

3.2.2.3. Continuous surveillance

The approved body shall visit the factory at least once a year for regular inspection. It has to be verified that the system of factory production control and the specified automated manufacturing process are maintained taking account of the prescribed test plan.

Continuous surveillance and assessment of factory production control have to be performed according to the prescribed test plan.

The results of product certification and continuous surveillance shall be made available on demand by the certification body or inspection body, respectively, to the Centre Scientifique et Technique du Bâtiment. In cases where the provisions of the European Technical Approval and the prescribed test plan are no longer fulfilled the conformity certificate shall be withdrawn.

3.3. CE-Marking

The CE marking shall be affixed on each packaging of anchors. The symbol « CE » shall be accompanied by the following information:

- name or identifying mark of the producer and manufacturing plant;
- the last two digits of the year in which the CE-marking was affixed;
- number of the EC certificate of conformity;
- number of the European Technical Approval;

–

4 Assumptions under which the fitness of the product for the intended use was favourably assessed

4.1. Manufacturing

The resin is manufactured in accordance with the provisions of the European Technical Approval using the automated manufacturing process as identified during inspection of the plant by the Centre Scientifique et Technique du Bâtiment and the approved body and laid down in the technical documentation.

4.2. Drafting

Rebar connection must be designed in keeping with good engineering practice. Allowing for the loads to be anchored, design calculations and design drawings must be produced which can be checked. At least the following must be given in the design drawings:

- Concrete strength.
- Diameter, drilling technique, concrete cover, spacing and anchorage depth of the rebars.
- Dimension for the depth of adhesive (dispensing amount to be marked on the mixer extension as per annex 7,).
- Kind of preparation of the joint between building component being connected.

The actual position of the reinforcement in the existing building component must be determined on the basis of the construction documentation and allowed for when drafting.

The design work must be carried out on the basis of EN 1992-1-1.

The transfer of internal section forces in the joint must be verified in accordance to EN 1992-1-1 when a new building component is being connected. The transfer of shear forces between new and old concrete shall be designed according to EN 1992-1-1. The joints for concreting must be roughened to at least such an extent that aggregate protrude.

4.3. Rebar connection design as per EN 1992-1-1

4.3.1. General points

The actual position of the reinforcement in the existing building component must be determined on the basis of the construction documentation and allowed for when drafting.

The transfer of internal section forces in the joint must be verified in accordance to EN 1992-1-1 when a new building component is being connected. The transfer of shear forces between new and old concrete shall be designed according to EN 1992-1-1. The joints for concreting must be roughened to at least such an extent that aggregate protrude.

The design of rebar connections and determination of the internal section forces to be transferred in the construction joint shall be in keeping with the EN 1992-1-1.

Verification of immediate local force transfer to the concrete has been provided.

Verification of the transfer of the loads to be anchored to the building component must be provided.

4.3.2. Determination of anchorage depth.

4.3.2.1. General points

The design anchorage length l_{bd} must be determined according to EN 1992-1-1, section 8.4.3. When the holes are done with diamond core drilling technique, the design values of bond stress for C25/30 shall be used for concrete of grades > C25/30.

The anchorage depths and overlap lengths must not be less than the minimum values given in annex 6.

The maximum permissible anchorage depth is given in annex 6 .

4.3.2.2. Calculation of the basic anchorage length $l_{b,rqd}$

The basic anchorage length $l_{b,rqd}$, for anchoring the force $A_s \cdot f_{yd}$ in the rebar assuming constant bond stress equal to f_{bd} follows from:

$$l_{b,rqd} = (\phi/4) \cdot (\sigma_{sd}/f_{bd}) \text{ where:}$$

ϕ = diameter of the rebar

σ_{sd} = calculated stress in the rebar under the design action

f_{bd} = design value of the bond strength according to table 4. or 5 in annex 7

$$f_{bd} = 2.25 \eta_1 \eta_2 f_{ctd} \quad (\text{according to EN 1992-1-1})$$

$$\text{with } f_{ctd} = \alpha_{ct} f_{ctk,0.05} / \gamma_c$$

$$\alpha_{ct} = 1$$

$$\gamma_c = 1.5$$

η_1 coefficient relative to the quality of the bond condition and position of the rebar during concreting

$$\eta_1 = 1,0 \text{ ("good" bond conditions)}$$

$$\eta_1 = 0,7 \text{ (all other conditions)}$$

$$\eta_2 = 1,0 \text{ (for } \phi \leq 32\text{mm)}$$

4.3.2.3. Calculation of the minimum anchorage length $l_{b,min}$

Anchoring rebar

In the case of anchoring rebar, the minimum anchorage length $l_{b,min}$ must be determined as follow:

$$l_{b,mi,n} = 1.5 \times \text{Max} (0,3 l_{b,rqd}; 10 \phi; 100\text{mm}) \quad \text{EN 1992-1-1 Equation 8.6 modified with TR023 §4.2}$$

Overlap joint

In the case of overlap joint, the minimum anchorage length $l_{0,min}$ must be determined as follow:

$$l_{0,min} = 1.5 \times \text{Max} (0,3 \cdot \alpha_6 \cdot l_{b,rqd}; 15 \phi; 200\text{mm}) \text{ EN 1992-1-1 Equation 8.11 modified with TR023 §4.2}$$

Where $\alpha_6 = (\rho_1/25)^{0.5} \leq 1.5$ ρ_1 is the percentage of reinforcement lapped within $0.65 l_0$ from the centre of the length considered.

4.3.2.4. Calculation of the design anchorage length l_{bd}

Anchoring rebar

In the case of anchoring rebar, the design anchorage length l_{bd} must be determined as follow:

$$l_{bd} = \alpha_1 \alpha_2 \alpha_3 \alpha_4 \alpha_5 l_{b,rqd} \geq l_{0,min}$$

Where $\alpha_1, \alpha_2, \alpha_3, \alpha_4, \alpha_5$ determined according to EN 1992-1-1. Table 8.2.

Overlap joint

In the case of overlap joint, the design anchorage length l_{bd} must be determined as follow:

$$l_{bd} = \alpha_1 \alpha_2 \alpha_3 \alpha_4 \alpha_5 \alpha_6 l_{b,rqd} \geq l_{0,min}$$

Where $\alpha_1, \alpha_2, \alpha_3, \alpha_4, \alpha_5, \alpha_6$ determined according to, EN 1992-1-1. Table 8.2 and 8.3

α_1	Influence of the shape of the rebar	$\alpha_1=1$ for straight rebar
α_2	Influence of the concrete cover	$0.7 \leq \alpha_2 \leq 1.0$ calculated according to EN 1992-1-1 Table 8.2
α_3	Influence of the confinement by transverse reinforcement not welded to main reinforcement	$\alpha_3=1$ because no transverse reinforcement
α_4	Influence of the confinement by welded transverse reinforcement	$\alpha_4=1$ because no transverse reinforcement
α_5	Influence of the confinement by transverse pressure	$0.7 \leq \alpha_5 \leq 1.0$
α_6	Influence of the overlapping length	$1.0 \leq \alpha_6 \leq 1.5$

Nota: Examples of calculations are published in annexes 9 and 10 for concrete C20/25. Other values can be calculated by using the above formulas.

4.3.2.5. Transverse reinforcement

The transverse reinforcement required in the zone of the rebar connection must fulfil the requirement of EN 1992-1-1, section 8.7.4.

4.3.2.6 Connection joint

In case of a connection being made between new and existing concrete where the surface layer of the existing concrete is carbonated, the layer should be removed in the area of the new reinforcing bar (with a diameter $d_s + 60\text{mm}$) prior to the installation of the new bar.

The foregoing may be neglected if building components are new and not carbonated.

4.3.2.7 Additional provisions

The concrete cover required for bonded-in rebars is shown in Annex 8, Table 1, in relation to the drilling method and the hole tolerance.

Furthermore the minimum concrete cover given in EN 1992-1-1, Section 4.4.1.2 shall be observed.

4.4. Installation

The fitness for use of the rebar connection can only be assumed if the rebar is installed as follows:

- The installation of the post installed rebars shall be carried out according to the manufacturer's installation instructions
- The installation of post-installed rebars shall be done only by suitable trained installer and under supervision on site. The conditions under which an installer may be considered as suitable trained and the conditions for supervision on site are up to the Member States in which the installation is done.
- Use of the system only as supplied by the manufacturer without exchanging the components of an system;
- Checks before placing the rebar to ensure that the strength class of the concrete in which the rebar is to be placed is in the range;
- The surface of the joint between new and existing concrete should be prepared (roughing, keying, according to the envisaged intended use according to EN 1992-1-1;
- Check of concrete being well compacted, e.g. without significant voids;
- Keeping the anchorage depth as specified in the design drawings;
- Keeping of the concrete cover and spacing as specified in the design drawings;
- The drilling and cleaning of the hole and the installation shall be performed only with the equipment as specified by the manufacturer given in annexes 3, 4 and 5. It shall be ensured that this equipment is available on site and is used;
- Positioning of the drill holes without damaging the reinforcement;
- In case of aborted drill hole: the drill hole shall be filled with mortar;

- ~ The post installed rebar connection must not be installed in flooded holes;
- Rebar installation ensuring the specified embedment depth, that is the appropriate depth marking of the rebar not exceeding the concrete surface;

4.5. Responsibility of the manufacturer

It is the manufacturer's responsibility to ensure that the information on the specific conditions according to 1 and 2 including Annexes referred to in § 4.3. is given to those who are concerned. This information may be made by reproduction of the respective parts of the European Technical Approval. In addition all installation data shall be shown clearly on the package and/or on an enclosed instruction sheet, preferably using illustration(s).

The minimum data required are:

- drill bit diameter,
- rebar diameter,
- admissible service temperature range,
- curing time of the bonding material depending on the installation temperature,
- information on the installation procedure, including cleaning of the hole, preferably by means of an illustration,
- reference to any special installation equipment needed,
- identification of the manufacturing batch.

All data shall be presented in a clear and explicit form.

5 Recommendations concerning packaging, transport and storage.

Each cartridge of resin is marked with the identifying mark of the producer, the trade name, the charge code, storage life, curing and processing time.

The cartridges of resin shall be protected against sun radiation and shall be stored according to the manufacturer's installation instructions in dry conditions at temperatures of at least 0°C to not more than +35°C.

Mortar cartridges with expired shelf life must no longer be used.

The original French version is signed by

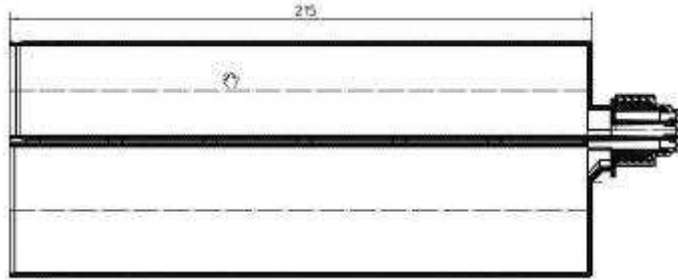
**Le Directeur Technique
H. BERRIER**



EPCON C8 side by side Cartridge

EPCON C8 Manual dispenser

- 450 ml side by side cartridge



Marking of the mortar cartridges :

- Identifying mark of the producer
- Trade name
- Charge code number
- Storage life
- Curing and processing time

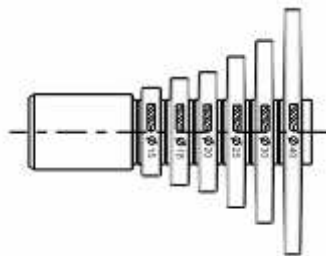
- Brush & Extension



- Mixing nozzle



- Piston plug



Nota: The piston plug can be used for all the hole diameters by cutting it at the relevant diameter.

SPIT EPCON C8

Product description

**Annex 1
 of European Technical Approval
 ETA-07/0189**

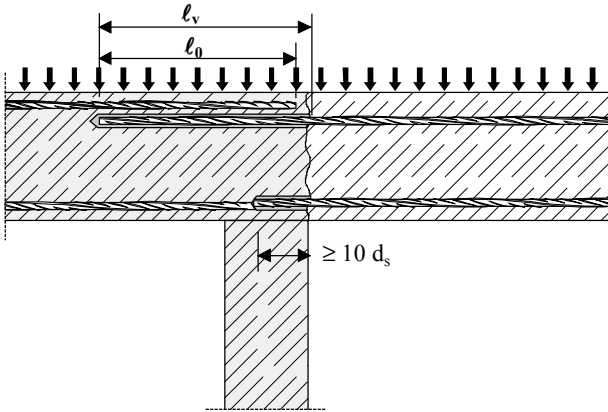


Figure 1.1: Overlap joint for rebar connections of slabs and beams

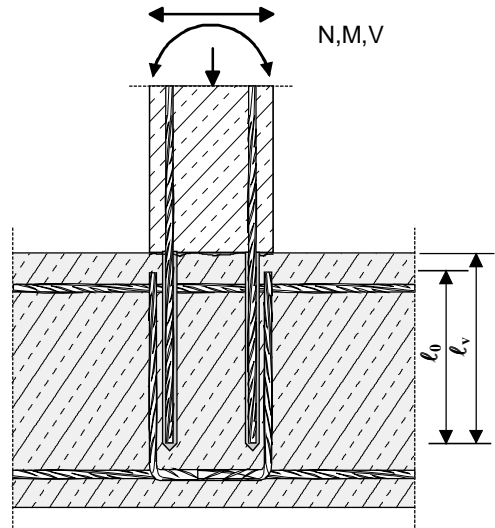


Figure 1.2: Overlap joint at a foundation of a column or wall where the rebars are stressed in tension

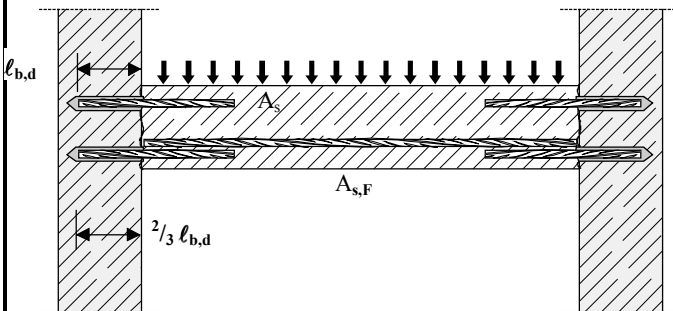


Figure 1.3: End anchoring of slabs or beams, designed as simply supported

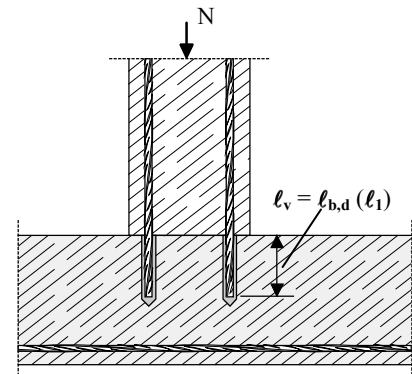


Figure 1.4: Rebar connection for components stressed primarily in compression. The rebars are stressed in compression

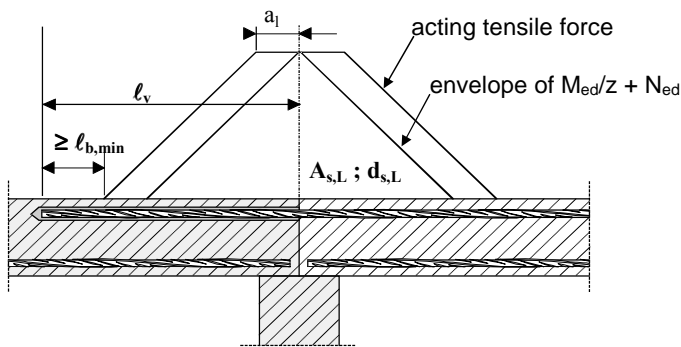


Figure 1.5: Anchoring of reinforcement to cover the line of acting tensile force

Note to Figure 1.1 to 1.5:

In the Figures no transverse reinforcement is plotted, the transverse reinforcement as required by EC 2 shall be present.

The shear transfer between old and new concrete shall be designed according to EC 2.

SPIT EPCON C8

Intended used

Annex 2
 of European Technical Approval
 ETA-07/0189

Figure 6: Reinforcing bar “rebar” according to EC2



Refer to EOTA TR 023:

This Technical Report covers post-installed rebar connections in non-carbonated concrete under the assumption only that the design of post-installed rebar connections is done in accordance with EN 1992-1-1.

Covered are rebar anchoring systems consisting of bonding material and an embedded straight deformed reinforcing bar with properties according to Annex C of EN 1992-1-1; the classes B and C of the rebar are recommended.

Refer to EN 1992-1-1 Annex C Table C.1 and C.2N Properties of reinforcement:



Product form		Bars and de-coiled rods	
Class		B	C
Characteristic yield strength f_{yk} or $f_{0,2k}$ (MPa)		400 to 600	
Minimum value of $k = (f_t/f_y)_k$		$\geq 1,08$	$\geq 1,15$ < 1,35
Characteristic strain at maximum force, ϵ_{uk} (%)		$\geq 5,0$	$\geq 7,5$
Bendability		Bend / Rebend test	
Maximum deviation from nominal mass (individual bar or wire) (%)	Nominal bar size (mm)		
	≤ 8 > 8	$\pm 6,0$ $\pm 4,5$	
Bond: Minimum relative rib area, $f_{R,min}$	Nominal bar size (mm)		
	8 to 12 > 12	0,040 0,056	

SPIT EPCON C8

Reinforcing bar “rebar” according to EC2

**Annex 3
 of European Technical Approval
 ETA-07/0189**

Drilling the hole:

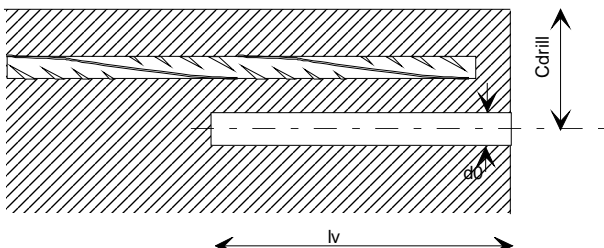
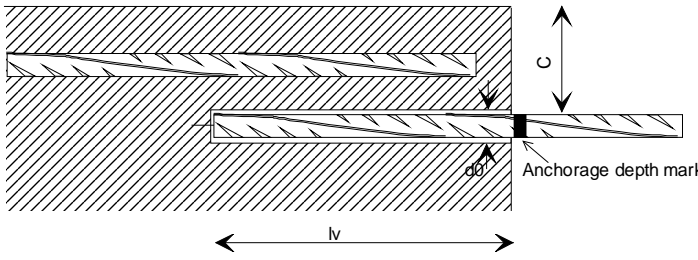
	Rotary hammer drilling
	Diamond core drilling

Water in the hole is not permitted

Rebar diameter d_{nom}	Nominal drilling diameter d_{cut}		Max Permissible anchorage depth l_v
	Drill bit	Diamond core	
[mm]	[mm]	[mm]	[mm]
8	10	10	900
10	12	12	900
12	15	15	900
14	18	18	900
16	20	20	900
20	25	25	900
25	30	30	900
32	40	-	900

Table 1: Drilling diameter and maximum anchorage length

Nota: The maximum outer rebar diameter over the ribs shall be:
 nominal diameter of the bar $d_{nom} + 0,20 d_{nom}$

- Observe concrete coverage , c, as per setting plan.
- Drill parallel to the edge
- Put the anchorage depth mark on the rebar

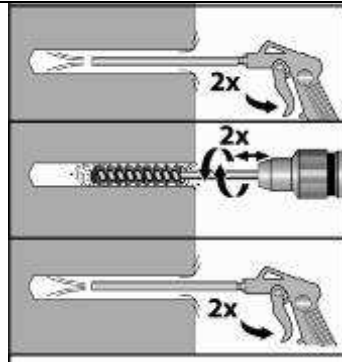
SPIT EPCON C8

Installation instructions of the rebars

**Annex 4
 of European Technical Approval
 ETA-07/0189**

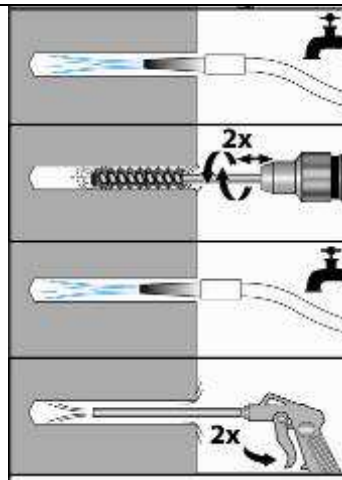
Cleaning the hole:

Hammer drilling technique



1. Insert air nozzle fitted with the relevant plastic extension to bottom of the hole and blow out at least 2 times using oil free compressed air and until no dust is evacuated.
2. Using the relevant brush and extension fitted on a Spit drilling machine, starting from the top of the hole, move downward to the bottom of the hole (duration 5s) then move upward to the top of the hole (duration 5s). Repeat this operation.
3. Insert air nozzle fitted with the relevant plastic extension to bottom of the hole and blow out at least 2 times using oil free compressed air and until no dust is evacuated.

Diamond core drilling technique



1. Clean the hole with tap water
2. Using the relevant brush and extension fitted on a Spit drilling machine, starting from the top of the hole, move downward to the bottom of the hole (duration 5s) then move upward to the top of the hole (duration 5s). Repeat this operation.
3. Clean the hole with tap water
4. Insert air nozzle fitted with the relevant plastic extension to bottom of the hole and blow out at least 2 times using oil free compressed air and until no dust is evacuated.

Rebar diameter [mm]	Brushes		Extension for brushes [-]	Plastic Extension for compressed air [-]
	Diameter [mm]	Ref [-]		
8	11	052971	Lg 325 mm Ref 051010	9x196 (Ref 050898) 9x1000 (Ref 063300)
10	13	052972		
12	16	052973		
14	20	052974		
16	22	052975		
20	26	052976		
25	32	052978		
32	42	052981		

The diameter of the round steel brush shall be checked before use. The minimum brush diameter has to be at least equal to the borehole diameter d_0 . The round steel brush shall produce natural resistance as it enters the drill hole. If this is not the case, please use a new brush or a brush with a larger diameter.

SPIT EPCON C8

Installation instructions of the rebars

**Annex 5
 of European Technical Approval
 ETA-07/0189**

Dispensing into the hole:

EPCON C8



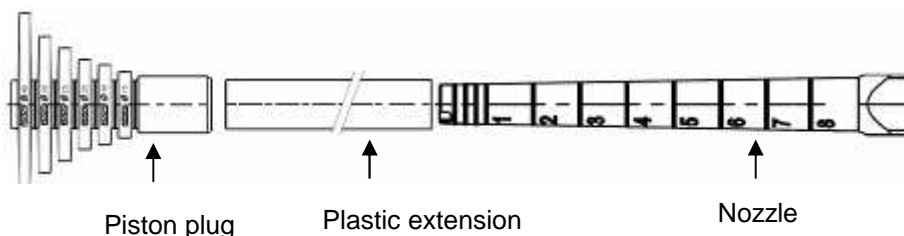
- Storage temperature of cartridge +5°C to +35 °C
- Check the date of expiry of the cartridge
- Minimum building component temperature $\geq +5^{\circ}\text{C}$

Safety precaution

The safety data sheet must be read before using the product and the safety instructions must be followed.

	1. Put the anchorage depth mark on the rebar
	2. Check the anchorage depth
	3. Cut the piston plug at the relevant diameter. The volume of resin that need to be injected in the hole must be indicated on the mixing nozzle or its extension. The marking must be placed at 0.5 time the anchorage depth
	4. Dispense the first part to waste until an even colour is achieved ($\approx 20\text{cm}$). Insert the nozzle to the far end of the hole, and inject the resin, withdrawing the nozzle as the hole fills. Fill the hole until the mark appear.

Rebar diameter [mm]	Plastic extension for mixing nozzle	Nozzle [-]	Piston plug [-]
	$\phi_{\text{ext}} \times l$ [mm]		
8	9x196 (Ref 050898)	Ref 050069	Ref 050969
10	9x1000 (Ref 063300)		
12	13x1000 (Ref 050971)		
14			
16			
20			
25			
32			

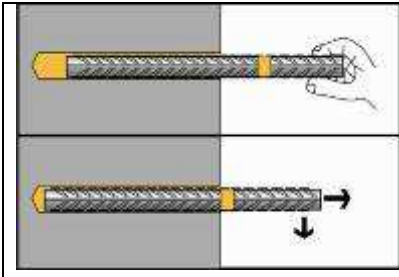


SPIT EPCON C8

Installation instructions of the rebars

Annex 6
of European Technical Approval
ETA-07/0189

Inserting the rebar:



1. Immediately insert the rebar, slowly and with a slight twisting motion. Remove excess resin from around the mouth of the hole before it sets. Control the embedment depth.
2. Leave the rebar undisturbed until the cure time has elapsed.

Ambient temperature	Processing time	Curing time
5°C	26 mn	26 h
10°C	20 mn	23 h
20°C	14 mn	12 h
30°C	8 mn	8 h
40°C	5 mn	6 h

Table 2: Processing and curing time

Rebar diameter [mm]	Minimum anchorage depth with SPIT EPCON C8		Max Permissible anchorage depth [mm]
	Anchoring rebar $l_{b,min}$	Overlap joint $l_{o,min}$	
8	170	300	900
10	213	300	900
12	255	300	900
14	298	315	900
16	340	360	900
20	425	450	900
25	532	563	900
32	681	720	900

Nota: The minimum anchorage depth are valid for "good bond conditions" as described in EN 1992-1-1.

Table 3: Setting data

SPIT EPCON C8	Annex 7 of European Technical Approval ETA-07/0189
Installation instructions of the rebars	

Ultimate bond resistance f_{bd} according to EN 1992-1-1 for hammer drilling technique									
Size	C12/15	C16/20	C20/25	C25/30	C30/37	C35/45	C40/50	C45/55	C50/60
φ 8	1.6	2.0	2.3	2.7	3.0	3.4	3.7	4.0	4.3
φ 10									
φ 12									
φ 14									
φ 16									
φ 20									
φ 25									
φ 30									
φ 32									

Table 4: Design values of the ultimate bond resistance according to EN 1992-1-1 for EPCON C8 resin

Ultimate bond resistance f_{bd} according to EN 1992-1-1 for diamond core drilling technique									
Size	C12/15	C16/20	C20/25	C25/30	C30/37	C35/45	C40/50	C45/55	C50/60
φ 8	1.6	2.0	2.3	2.7	2.7	2.7	2.7	2.7	2.7
φ 10									
φ 12									
φ 14									
φ 16									
φ 20									
φ 25									
φ 30									
φ 32									

Table 5: Design values of the ultimate bond resistance according to EN 1992-1-1 for EPCON C8 resin

Nota: The values given in tables 4 and 5 are valid for “good bond conditions” as described in EN 1992-1-1. For all other conditions multiply the values by 0.7.

- Minimum concrete cover:
 $c_{min} = 30 + 0,06 l_v \geq 2d_s$ (mm) for hammer drilled holes
- Minimum clear spacing between two post-installed bars $a = 40 \text{ mm} \geq 4d_s$
- Minimum anchorage length in case of anchoring rebar:
 $l_{b,mi,n} = 1.5 \times \text{Max} (0,3 l_{b,rqd}; 10 \phi; 100\text{mm})$
- Minimum anchorage length in case of overlap joint:
 $l_{o,mi,n} = 1.5 \times \text{Max} (0,3 \cdot \alpha_6 \cdot l_{b,rqd}; 15 \phi; 200\text{mm})$

SPIT EPCON C8

Design values

**Annex 8
 of European Technical Approval
 ETA-07/0189**

EPCON C8 – Anchoring of Rebar HA Fe E500 – C20/25 concrete ($f_{bd}=2.3\text{Mpa}$)

Rebar diameter	$\alpha_1=\alpha_2=\alpha_3=$ $\alpha_4=\alpha_5=1.0$			α_2 or $\alpha_5= 0.7$ $\alpha_1=\alpha_3=\alpha_4=1.0$		
	Anchorage depth l_{bd}	Max. design value N_{td} in the rebar	Volume of resin	Anchorage depth	Max. design value N_{td} in the rebar	Volume of resin
[mm]	[mm]	[kN]	[ml]	[mm]	[kN]	[ml]
8	170 *	9.83	7	170 *	14.05	7
	220	12.72	9	190	15.69	7
	270	15.61	11	210	17.34	8
	320	18.50	13	240	19.82	9
	378	21.85	15	265	21.85	10
10	213 *	15.37	12	213 *	21.95	12
	270	19.51	15	240	24.77	14
	340	24.57	19	270	27.87	15
	400	28.90	23	300	30.97	17
	473	34.15	27	331	34.15	19
12	255 *	22.13	23	255 *	31.61	23
	330	28.61	29	290	35.92	26
	410	35.55	36	320	39.64	28
	480	41.62	42	360	44.59	32
	567	49.17	50	397	49.17	35
14	298 *	30.12	38	298 *	43.03	38
	380	38.44	48	330	47.69	42
	470	47.54	60	380	54.92	48
	570	57.66	73	420	60.70	53
	662	66.93	84	463	66.93	59
16	340 *	39.34	53	340 *	56.20	53
	440	50.87	69	380	62.76	60
	540	62.43	85	430	71.02	68
	650	75.15	102	480	79.28	75
	756	87.42	119	529	87.42	83
20	425 *	61.47	104	425 *	87.81	104
	540	78.04	133	480	99.09	118
	660	95.38	162	540	111.48	133
	780	112.72	191	600	123.87	147
	900	130.06	221	662	136.59	162
25	532 *	96.04	188	532 *	137.20	188
	620	112.00	219	600	154.84	212
	710	128.26	251	670	172.90	237
	800	144.51	283	750	193.54	265
	900	162.58	318	827	213.42	292
32	681 *	157.35	428	681 *	224.79	428
	730	168.79	459	730	241.13	459
	790	182.66	496	790	260.95	496
	840	194.23	528	840	277.47	528
	900	208.10	565	900	297.28	565

- 1) Tabulated maximum tension loads are valid for good bond conditions according to EN 1992-1-1. For all other bond conditions the values for tension loads must be multiplied by 0.7.
- 2) The volume V of mortar can be estimated using the equation $V = d_0^2 \pi l_{bd} / 8$
 * Values corresponding to the minimum anchorage length $l_{b,min}$

SPIT EPCON C8

Design values

Annex 9
of European Technical Approval
ETA-07/0189

EPCON C8 – Overlap joint with Rebar HA Fe E500 – C20/25 concrete ($f_{bd}=2.3\text{Mpa}$)

Rebar diameter	$\alpha_1=\alpha_2=\alpha_3=$ $\alpha_4=\alpha_5=\alpha_6=1.0$			α_2 or $\alpha_5= 0.7$ $\alpha_1=\alpha_3=\alpha_4=\alpha_6=1.0$		
	Anchorage depth l_{bd}	Max. design value N_{rd} in the rebar	Volume of resin	Anchorage depth	Max. design value N_{rd} in the rebar	Volume of resin
[mm]	[mm]	[kN]	[ml]	[mm]	[kN]	[ml]
8	300 *	17.34	12	300 *	21.85	12
	310	17.92	12	300	21.85	12
	330	19.08	13	300	21.85	12
	350	20.23	14	300	21.85	12
	378	21.85	15	300	21.85	12
10	300 *	21.68	17	300 *	30.97	17
	340	24.57	19	300	30.97	17
	380	27.46	21	310	32.00	18
	420	30.35	24	320	33.03	18
	473	34.15	27	331	34.15	19
12	300 *	26.01	27	300 *	37.16	27
	360	31.21	32	320	39.64	28
	430	37.28	38	340	42.12	30
	500	43.35	44	370	45.83	33
	567	49.17	50	397	49.17	35
14	315 *	31.87	40	315 *	45.52	40
	400	40.46	51	350	50.58	45
	480	48.56	61	380	54.92	48
	570	57.66	73	420	60.70	53
	662	66.93	84	463	66.93	59
16	360 *	41.62	57	360 *	59.46	57
	450	52.02	71	400	66.06	63
	550	63.59	86	440	72.67	69
	650	75.15	102	480	79.28	75
	756	87.42	119	529	87.42	83
20	450 *	65.03	110	450 *	92.90	110
	560	80.93	137	500	103.22	123
	670	96.82	164	550	113.55	135
	780	112.72	191	600	123.87	147
	900	130.06	221	662	136.59	162
25	563 *	101.61	199	563 *	145.16	199
	640	115.61	226	620	160.00	219
	730	131.87	258	690	178.06	244
	810	146.32	286	760	196.13	269
	900	162.58	318	827	213.42	292
32	720 *	166.48	452	720 *	237.83	452
	760	175.73	478	760	251.04	478
	810	187.29	509	810	267.56	509
	850	196.54	534	850	280.77	534
	900	208.10	565	900	297.28	565

3) Tabulated maximum tension loads are valid for good bond conditions according to EN 1992-1-1. For all other bond conditions the values for tension loads must be multiplied by 0.7.

4) The volume V of mortar can be estimated using the equation $V = d_0^2 \pi l_{bd} / 8$

* Values corresponding to the minimum anchorage length $l_{0,min}$

SPIT EPCON C8

Design values

**Annex 10
 of European Technical Approval
 ETA-07/0189**