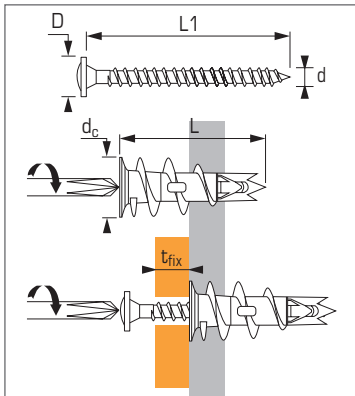




Self drilling anchor for plasterboard & aerated concrete



APPLICATION

- Bathroom accessories, wall heaters,
- Electrical switch boxes, trunking, conduit,
- Curtain track.
- ⁽¹⁾ **Mini DRIVA** : for fixing trunking to plasterboard

MATERIAL

- **Body** : zamak 3 NFA 55.010
- **Screw** : Special screw supplied, head type PZ2

Technical data

Anchor size	Max. thick. of part to be fixed (mm) t_{fix}	Screw threaded diameter (mm) d	Screw head diameter (mm) D	Total screw length (mm) L1	Anchor head diameter (mm) d_c	Total anchor length (mm) L	Code
TF5	5	4,5	8,2	25	13	31	059370
TP12	12	4,5	9,2	35	13	31	059360
TF27	27	4,5	8,8	50	13	31	059380
C7	M7X150	4,5	-	37	13	31	059390
SV (sans vis)	-	4,5	-	-	13	31	060083
Mini DRIVA ⁽¹⁾	-	-	-	-	7,5	26	059430

Nota : Predrilling with HSS drill bit is required:
in laminated plasterboard or gypsum block : Ø10 mm / in aerated concrete : Ø6 mm

Recommended loads (N_{rec}, V_{rec}) and ultimate loads (N_{Ru,m}, V_{Ru,m}) in kN

TENSILE

Base material	Anchor size	DRIVA TP/TF/C7	DRIV' AIR	Mini DRIVA
Aerated concrete				
N _{rec}		0,06	0,06	-
N _{Ru,m}		0,3	0,3	-
Plasterboard BA13				
N _{rec}		0,06	0,06	0,03
N _{Ru,m}		0,3	0,3	0,16

SHEAR

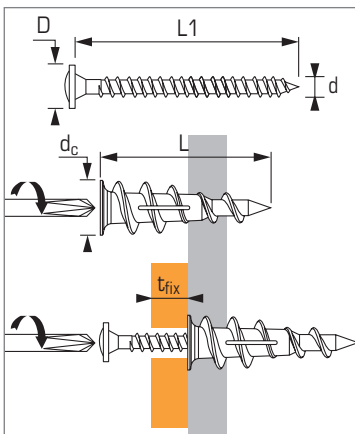
Base material	Anchor size	DRIVA TP/TF/C7	DRIV' AIR
Aerated concrete			
V _{rec}		0,18	0,18
V _{Ru,m}		0,9	0,9
Plasterboard BA13			
V _{rec}		0,18	0,18
V _{Ru,m}		0,9	0,9

Chemical anchors

DRILL



Self drilling anchor for plasterboard & aerated concrete



APPLICATION

- Fixing in all soft materials
- Small electrical accessories

MATERIAL

- **Body** : reinforced polyamid 6.6
- **Screw** : Special screw supplied, head type PH1

Technical data

Anchor size	Max. thick. of part to be fixed (mm) t_{fix}	Screw threaded diameter (mm) d	Screw head diameter (mm) D	Total screw length (mm) L1	Anchor head diameter (mm) d_c	Total anchor length (mm) L	Code
TF12	12	3,0	8,6	25	9,5	30	061630

Nota : Predrilling with HSS drill bit is required:
in laminated plasterboard or gypsum block : Ø5 mm / in aerated concrete : Ø 5 mm

Recommended loads (N_{rec}, V_{rec}) and ultimate loads (N_{Ru,m}, V_{Ru,m}) in kN

TENSILE

Base material	Anchor size	TP12
Aerated concrete		
N _{rec}		0,046
N _{Ru,m}		0,23
Plasterboard BA13		
N _{rec}		0,044
N _{Ru,m}		0,22

SHEAR

Base material	Anchor size	TP12
Aerated concrete		
V _{rec}		0,15
V _{Ru,m}		0,75
Plasterboard BA13		
V _{rec}		0,16
V _{Ru,m}		0,80